

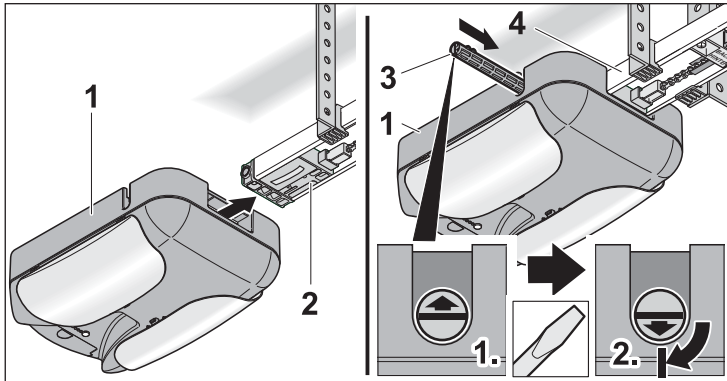
8. Installation

Note:

Depending on the scope of delivery, there are two possible ways to attach the control housing to the C-rail.

8.11. Installation Step 10 - Attach the Control Housing to the C-rail

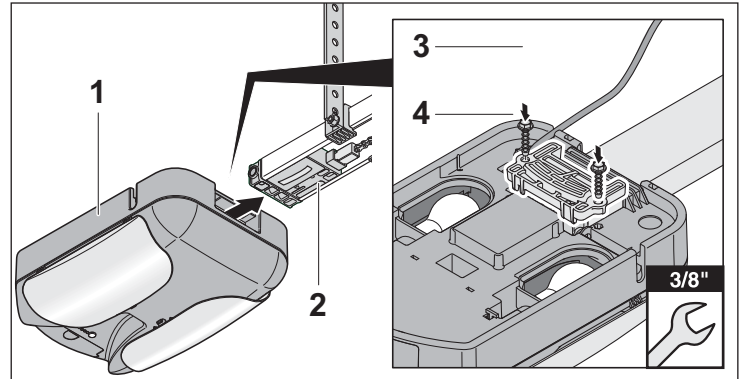
Variant 1



1. Make sure the contact on the slide in part (2) faces down.
2. Slide the control housing (1) all the way onto the rail.
3. Slide in the fastening bolt (3) all the way through the hole of the control housing (1).
4. Turn the fastening bolt (3) a half turn in the clockwise direction up to the stop position using a medium slotted-screwdriver (see graphic).
If a half turn is not possible, the control housing (1) is not correctly attached to the C-rail (4). Move the control housing slightly while sliding in the fastening bolts up to the stop position.
5. The electrical contact is established after connecting the control housing to the C-rail. The two contacts supply power (24V) to the motor carriage.

8.12. Installation Step 10 - Attach the Control Housing to the C-rail

Variant 2



1. Make sure the contact on the slide in part (2) faces down.
2. Slide the control housing (1) all the way onto the rail.
3. Fasten the screws (3) to fix the pressure plate (4) with the control housing.
4. The electrical contact is established after connecting the control housing to the C-rail. The two contacts supply power (24V) to the motor carriage.